

# FULL-BODIED BUDDY BARREL COSTUME

Submitted by: Tessie LaLonde

A full-bodied Buddy Barrel costume sounds like a fun idea, but for a smaller church there is no way to justify the entire year's budget for one item! What about a costume that fits all sizes, is washable, and costs a lot less? Here it is.

## Materials Needed:

- Two hula hoops, about 80-inches in circumference
- 4 yards yellow fabric (I used lightweight corduroy)
- 3 yards of  $\frac{1}{2}$ -inch elastic
- 1 sheet each of white, black, blue, and red plastic needlepoint canvas
- Cardboard box with one side at least 18-inches square

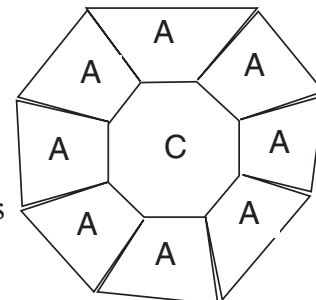


Figure 1

## Directions:

1. Cut out fabric using patterns.
2. Sew eight of the "A" pieces (pattern on next page) together lengthwise, forming a circle. (See Figure 1.) Do the same for the next eight pieces. These two sections form the top and bottom sections of the barrel.
3. Sew the circle "C" to one of these sections along the  $\frac{3}{4}$ -inch sides to form the top of the head.
4. Cut two 14-inch pieces of elastic. Sew them onto the seam allowance to form a V to hold the cardboard circle in place.
5. Sew the sides of the "B" pieces together leaving a 6-inch opening for arms. (Buddy looks good without arms too). Attach to the two "A" sections. As you come to each seam, sew a 3-inch elastic loop to the inside. This will hold the hula hoops in place.
6. Turn under bottom edge for hem, and hem arm holes.
7. Position the face carefully with pins. With a large zigzag stitch, sew them in place. Go over one more time.
8. Trim the material inside each piece for ventilation. Put in cardboard, hula hoops, and try him on. Slip one of the elastic straps under your chin for extra support.

## Tips:

The person inside can see through the eyebrows.

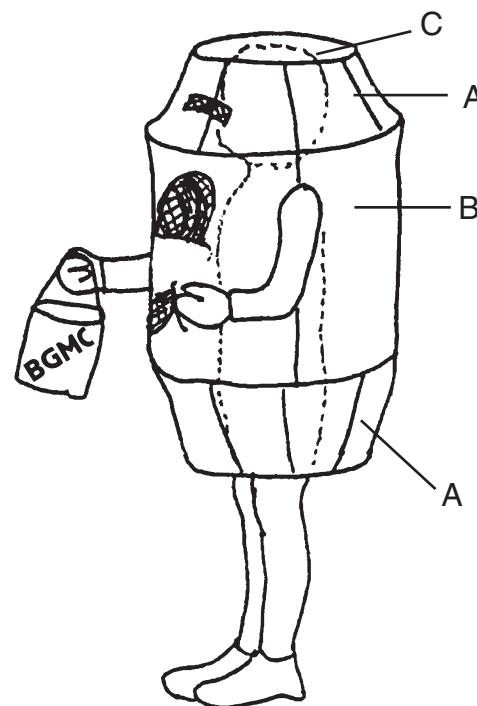
A microphone at Buddy's eye level will pick up his voice.

Plastic canvas eyes and a mouth give you lots of ventilation.

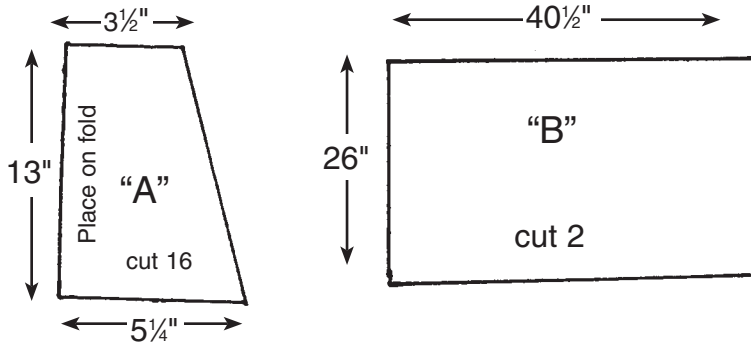
The eight sections give a realistic curved shape.

If you want, you may add funny shoes and wear gloves to disguise your hands.

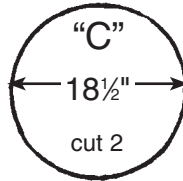
Buddy can be worn by anyone. Someone under 5 foot will make Buddy look short, and anyone over 6 feet tall will make him look very tall.



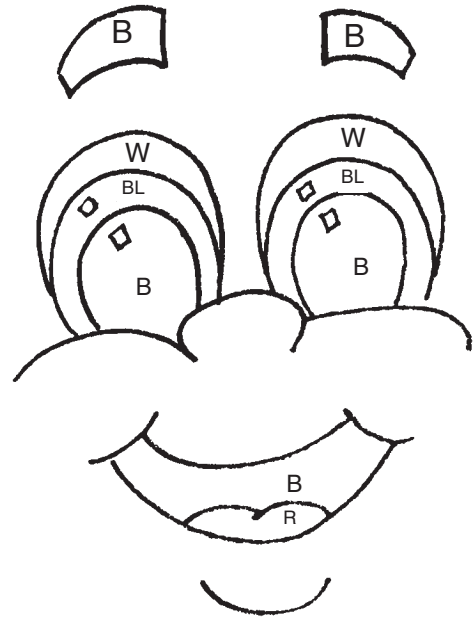
## Patterns



- A. SHAPED HEAD AND BOTTOM: a newspaper pattern by folding a 13-inch deep in half. Mark off  $3\frac{1}{2}$  on top and  $5\frac{1}{4}$  inches on the bottom. Connect the marks and cut out, and you will have the pattern. Cut pieces of this



Make sheet inches tom. Unfold out 16



- pattern from the fabric. Use eight for the top and eight for the bottom.
- B. BODY: Cut from the fabric a rectangle 40-inches wide by 26-inches deep. Cut out two. This will form the body part of the barrel.
- C. TOP OF HEAD: Cut out a cardboard circle 18-inches in diameter, being careful not to bend it. You will also need a circle of fabric  $18\frac{1}{2}$ -inches in diameter.
- D. FACE: Enlarge this face or create one of your own. Use black (BL), white (W), blue (B), and red (R) plastic needlepoint canvas. (If necessary, the blue eyes and the red tongue can be cut out of felt.)

NOTE: Use  $\frac{1}{4}$ -inch seam allowance on all seams and hems.